



## GEL TAP SPLICE - 1000V (GTAP)

### FAST, SIMPLE, EXCELLENT LONG LASTING SEAL

#### KEY FEATURES

- PowerGel sealant filled splice for buried, underground, and overhead applications
- Fast and simple to install, requires just a 5/16" Allen wrench or a torque wrench and a knife
- Range taking connector reduces inventory
- Re-enterable: Silicone gel easily peels away leaving a clean connection
- UV resistant, qualified for temperatures from -40°C to 90°C

TE Connectivity's (TE) Raychem GTAP gel tap splice kit provides a fast and simple method for connecting, insulating, and environmentally sealing low-voltage splices. The GTAP splice kit is designed for underground as well as overhead environments. It is especially useful for street lighting applications.

The GTAP splice kit utilizes TE's innovative PowerGel sealing gel to protect the connection from moisture ingress, corrosion, and pollution. PowerGel sealing gel also provides additional insulation and it is qualified for temperatures from -40°C to 90°C.

The hinged closure allows for one-step installation. The GTAP splice cover can be installed over the connector in seconds by simply snapping the cover shut.

The GTAP splice kit's range-taking mechanical connectors splice a wide range of cables, including copper and aluminum. The connector's four port design allows maximum inventory flexibility.

**Customers can count on consistent, high quality products, driven by TE's proven innovation and backed by our extraordinary customer support.**

## Gel Tap Splice - 1000V (GTAP)



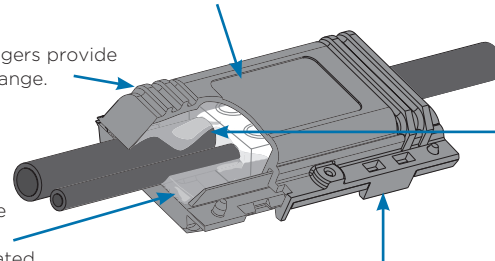
TE's PowerGel sealing gel is a combination of crosslinked silicone rubber and silicone oil. PowerGel sealing gel has been in use in other applications for over 10 years. TE gels are ideal for sealing electrical connections from moisture, dirt and other contaminants.

Molded cover of UV stable, impact resistant polypropylene provides rugged protection for underground or overhead applications.

Frangible fingers provide wide cable range.

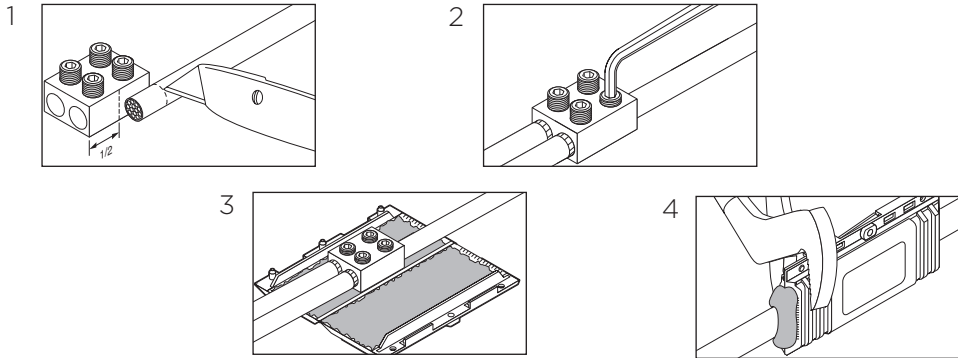
Range-taking mechanical connector made of aluminum. Accepts both copper and aluminum conductors.

Silicone gel is high dielectric insulation and provides constant pressure on cable and connector to provide waterseal. PowerGel sealing gel is specially formulated for high temperature environments.



Snap-lock ensures that cover remains closed.

### INSTALLATION



### PRODUCT SELECTION INFORMATION

Conductor Size (all outlets)

Description	AWG (mm <sup>2</sup> )	Standard Package
GTAP-1	#14 - #2 (2 - 35)	18 or 72
GTAP-2	#14 - #2/0 (2 - 70)	18 or 72

Selections are based on typical dimensions for low voltage, insulated cable.

### INSTALLED DIMENSIONS: INCHES (mm)

Description	Length	Width	Height
GTAP-1	2 - 3/4 (70)	1 - 5/8 (41)	1 - 1/16 (27)
GTAP-2	4 - 1/4 (108)	2 (51)	1 - 3/16 (30)

For information on other connectors or applications, please contact your local TE representative.

[te.com/energy](http://te.com/energy)

© 2005, 2007, 2012, 2014 TE Connectivity Ltd. family of companies. All Rights Reserved. 1309014 E154 10/2014

GTAP, PowerGel, Raychem, PowerGel, TE Connectivity and TE connectivity (logo) are trademarks. Other logos, product and/or company names might be trademarks of their respective owners. While TE has made every reasonable effort to ensure the accuracy of the information in this brochure, TE does not guarantee that it is error-free, nor does TE make any other representation, warranty or guarantee that the information is accurate, correct, reliable or current. TE reserves the right to make any adjustments to the information contained herein at any time without notice. TE expressly disclaims all implied warranties regarding the information contained herein, including, but not limited to, any implied warranties of merchantability or fitness for a particular purpose. The dimensions in this catalog are for reference purposes only and are subject to change without notice. Specifications are subject to change without notice. Consult TE for the latest dimensions and design specifications.

### FOR MORE INFORMATION: TE Technical Support Centers

USA:	+ 1 800 327 6996
France:	+ 33 380 583 200
UK:	+ 44 0870 870 7500
Germany:	+ 49 896 089 903
Spain:	+ 34 916 630 400
Benelux:	+ 32 16 351 731
Canada:	+ 1 (905) 475-6222
Mexico:	+ 52 (0) 55-1106-0800
Latin/S. America:	+ 54 (0) 11-4733-2200
China:	+ 86 (0) 400-820-6015